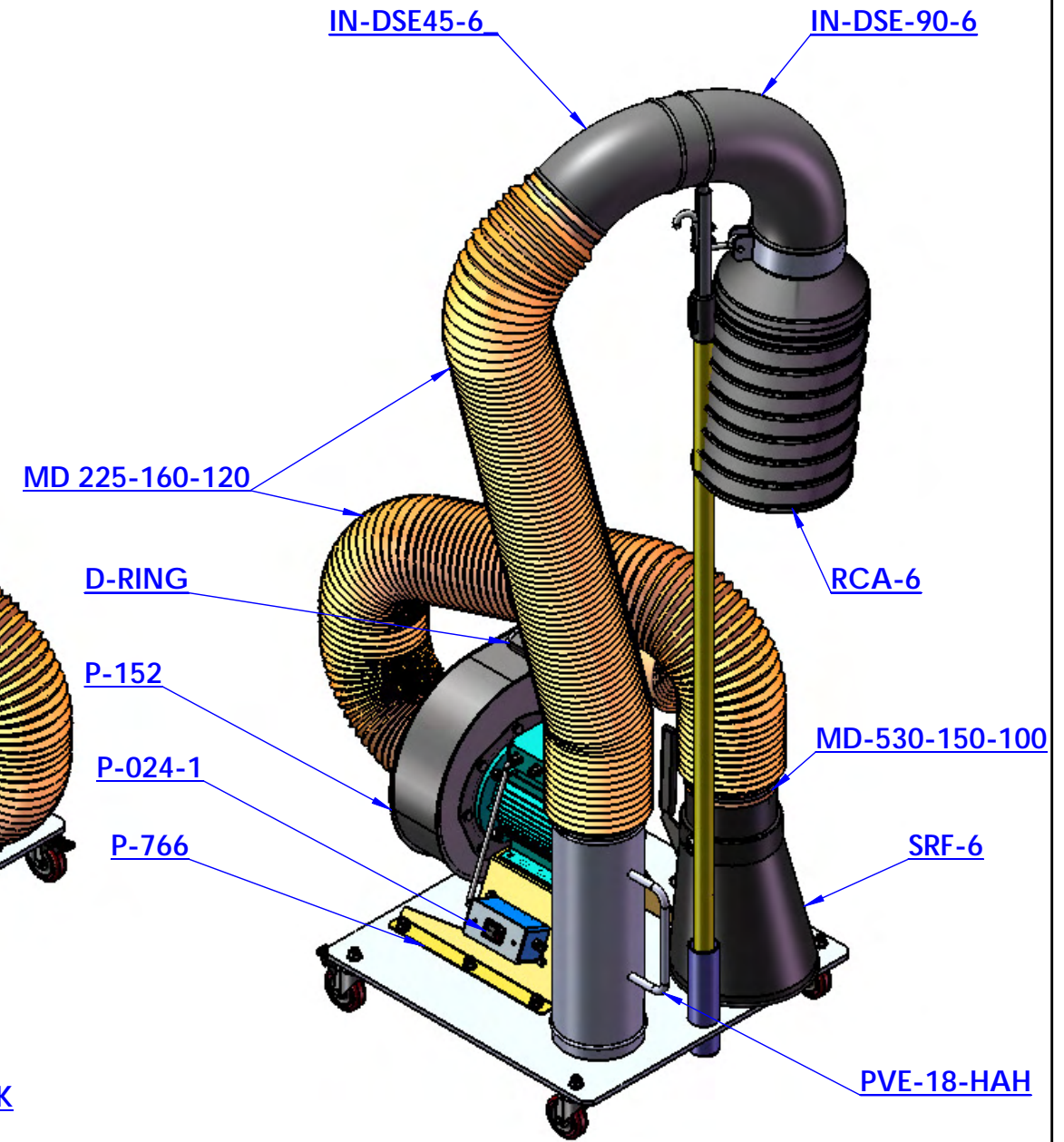
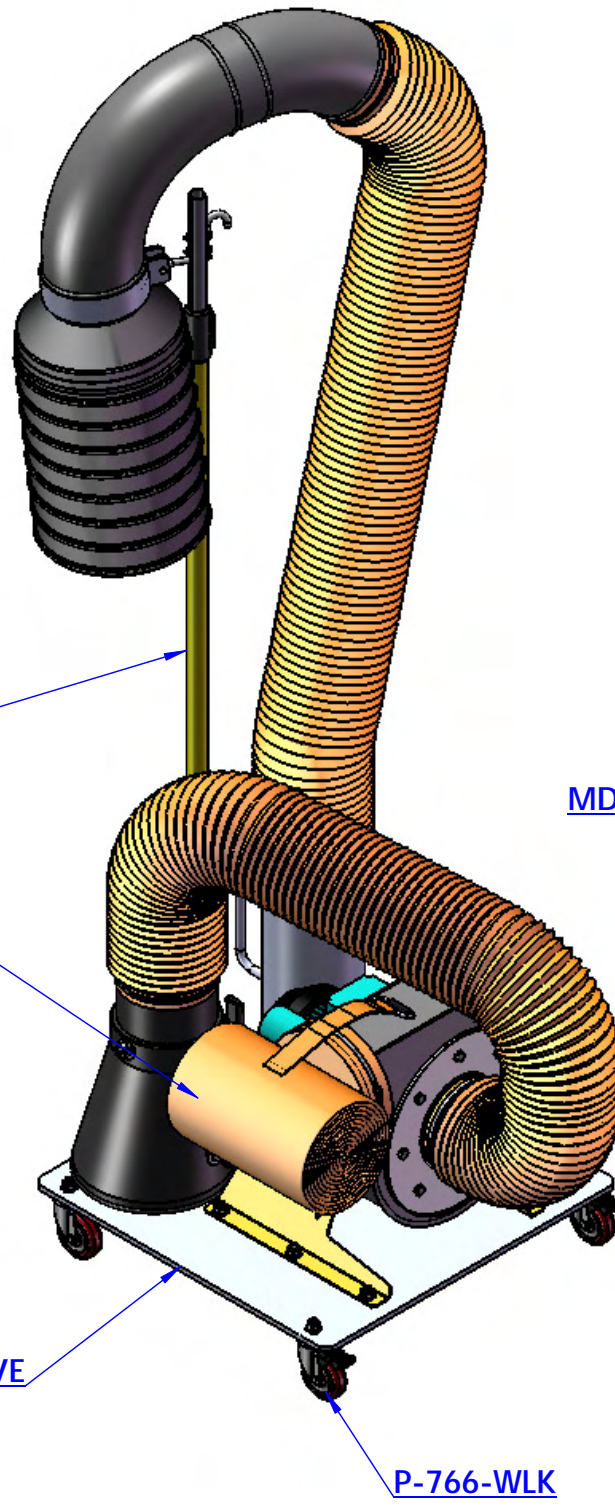
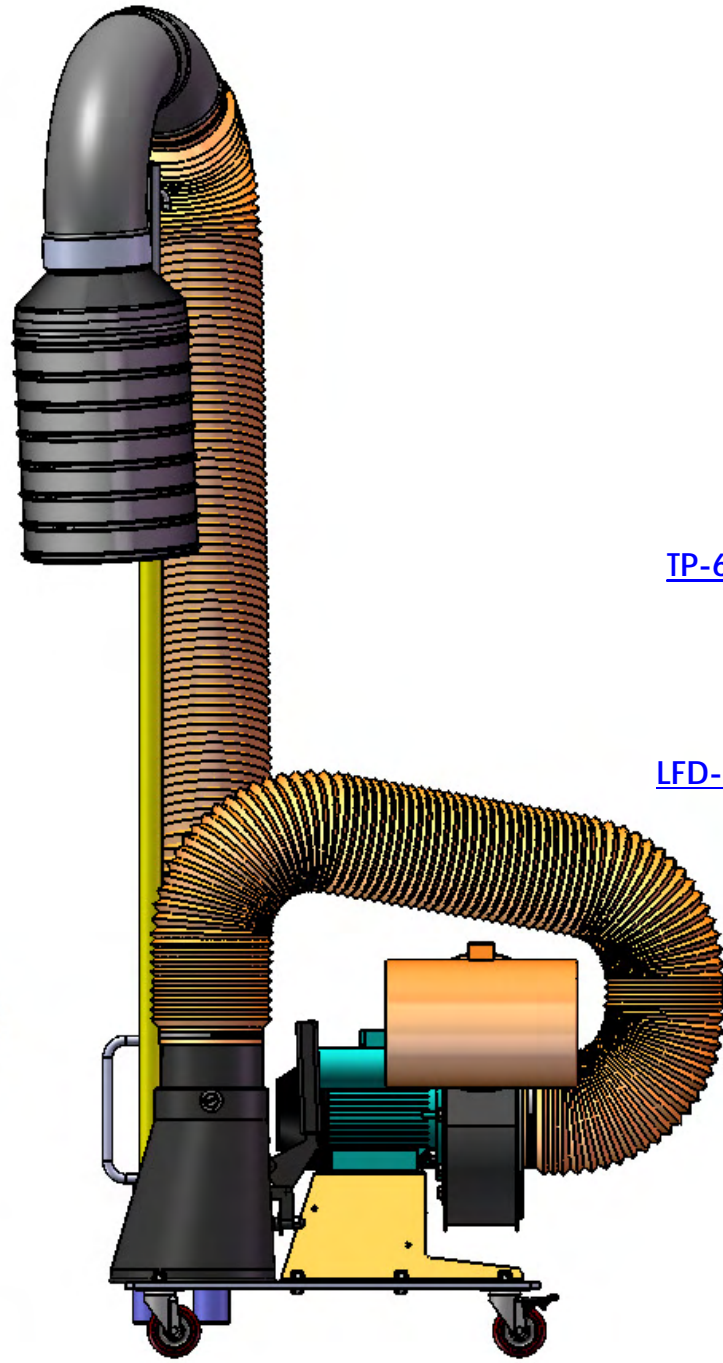
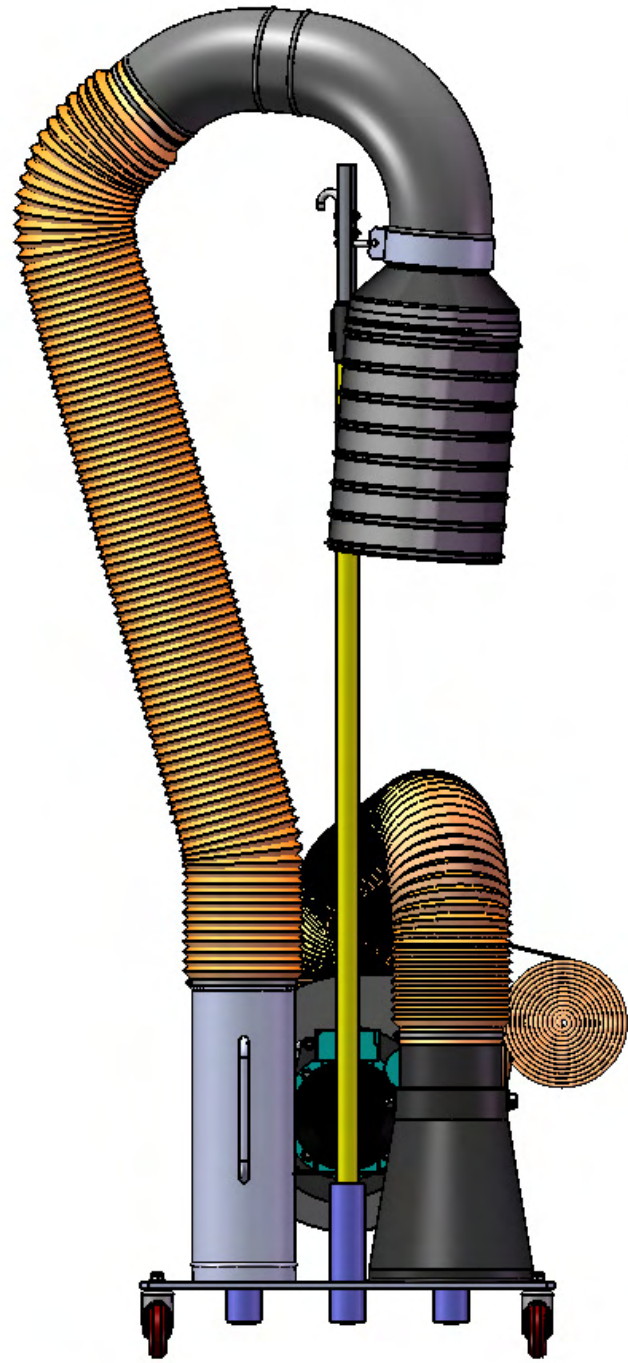


SIDE VIEW

REAR VIEW

ISOMETRIC VIEWS



CUSTOMER:
 CUSTOMER P.O.:
 PROJECT:
 ENGINEER:
 SALES REP.:
 IDENTIFICATION / TAGGING:

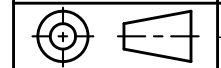
> www.lev-co.com • 1.888.862.5356

lev-co

The device depicted and described hereon embodies proprietary information owned by the manufacturer. All design, manufacturing, reproduction, sales and patent rights regarding this device or drawing reserved except where explicit right is guaranteed in writing. We reserve the right to make design changes.

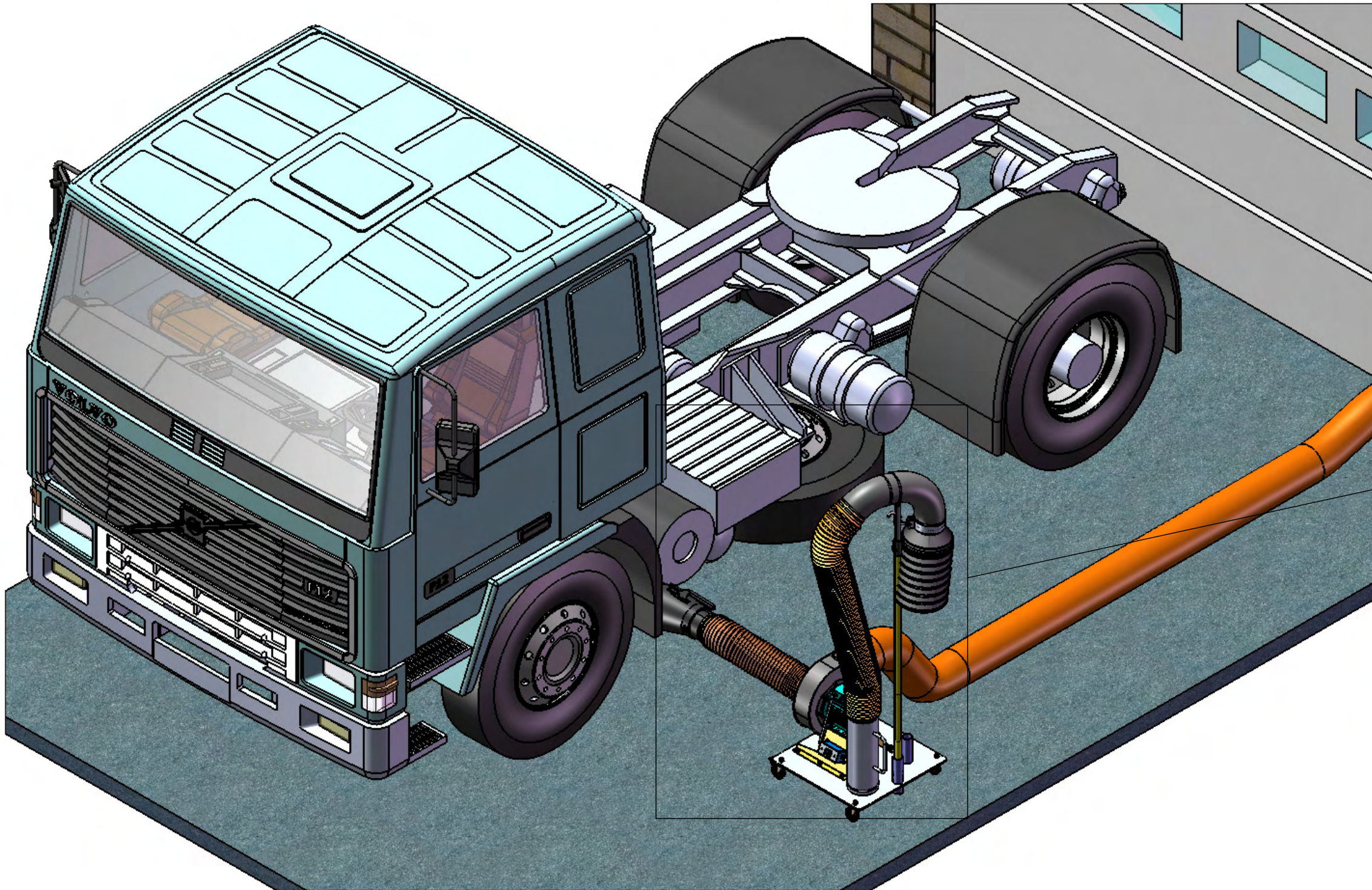
Drawn by: Janos B
 Date: 11/4/2014
 Scale: NTS
 Weight: N/A

PORTABLE VEHICLE EXHAUST
New Version
 Specification Drawing

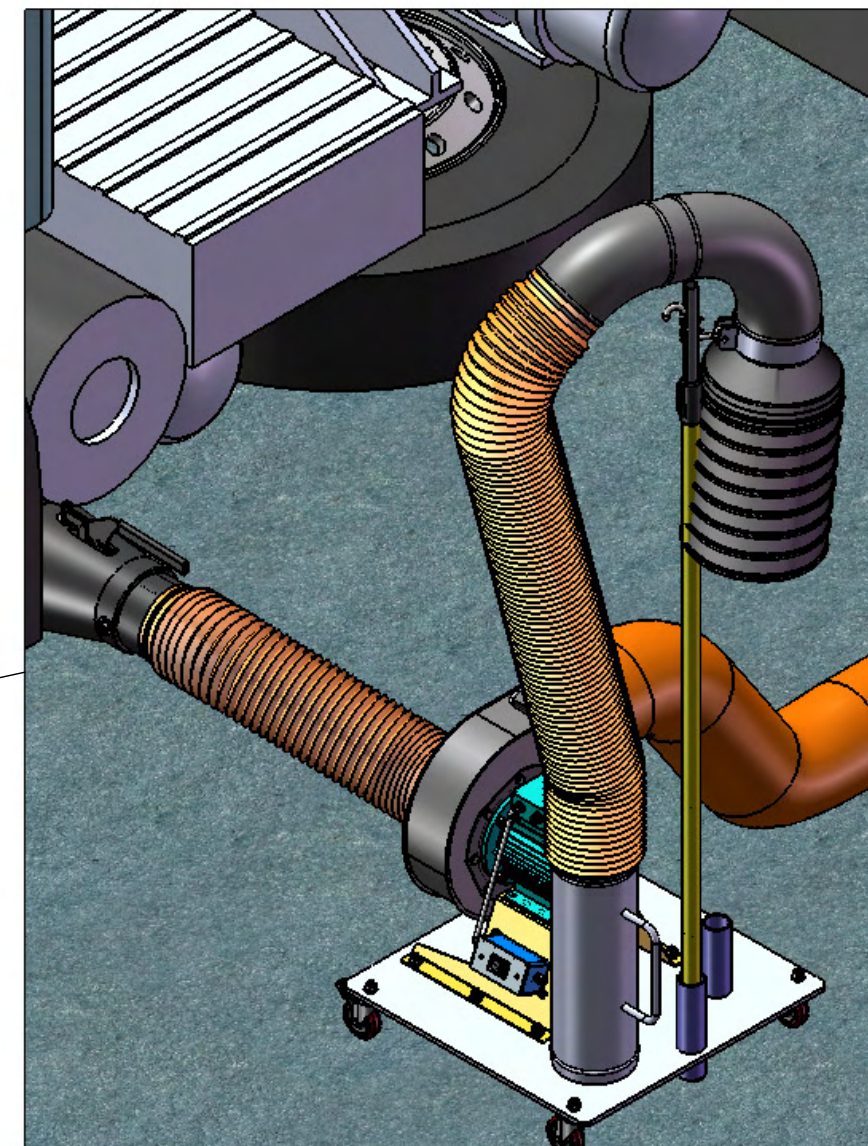


Drawing No.: -
 Material: -
 File Name: Portable Vehicle Exhaust
 Sheet: 1/5

ISOMETRIC VIEW - TRUCK WITH UNDERCARRIED EXHAUST



DETAIL VIEW



CUSTOMER:
 CUSTOMER P.O.:
 PROJECT:
 ENGINEER:
 SALES REP.:
 IDENTIFICATION / TAGGING:

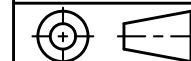
> www.lev-co.com • 1.888.862.5356

lev-co

The device depicted and described hereon embodies proprietary information owned by the manufacturer. All design, manufacturing, reproduction, sales and patent rights regarding this device or drawing reserved except where explicit right is guaranteed in writing. We reserve the right to make design changes.

Drawn by: Janos B
 Date: 11/4/2014
 Scale: NTS
 Weight: N/A

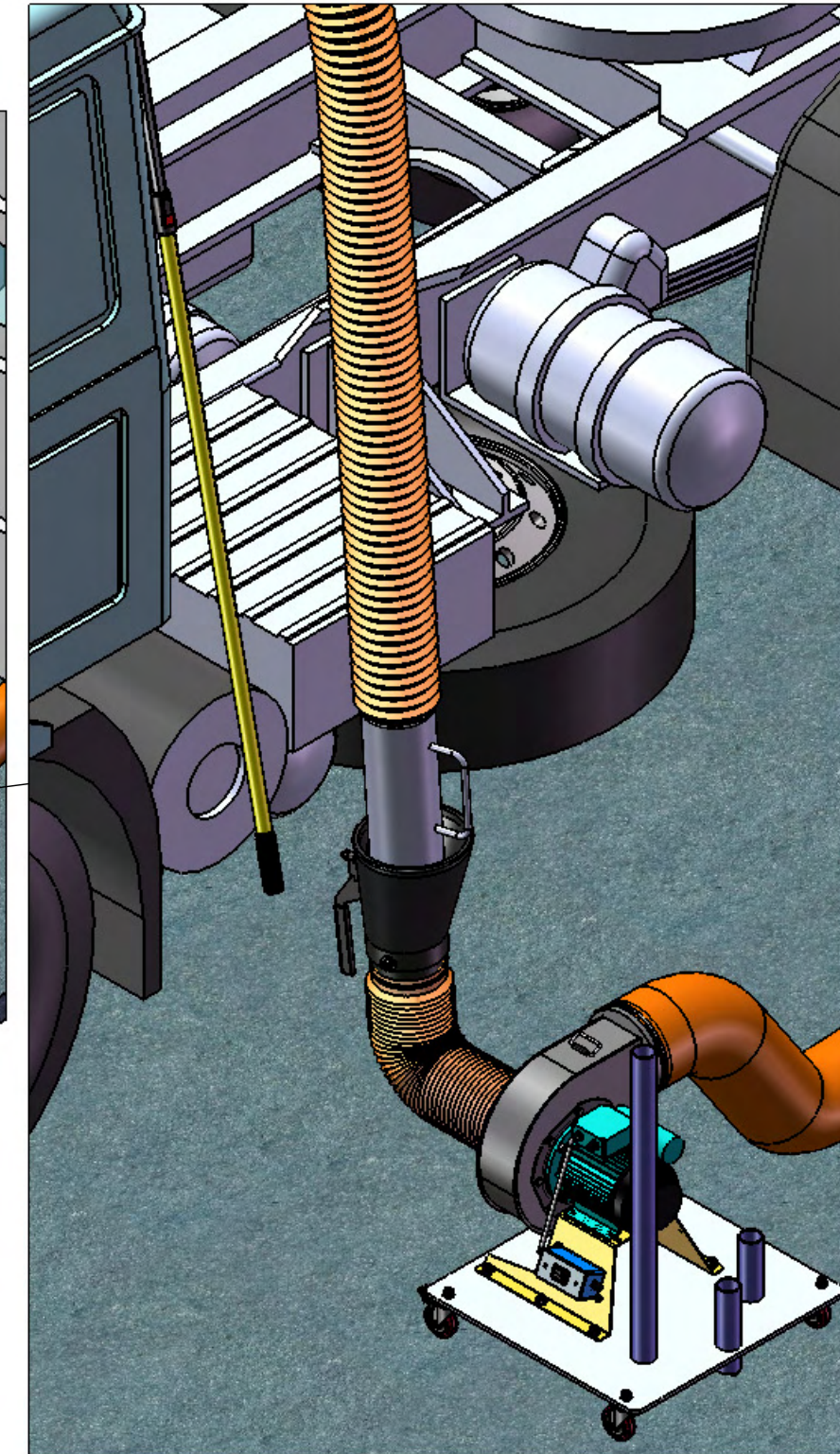
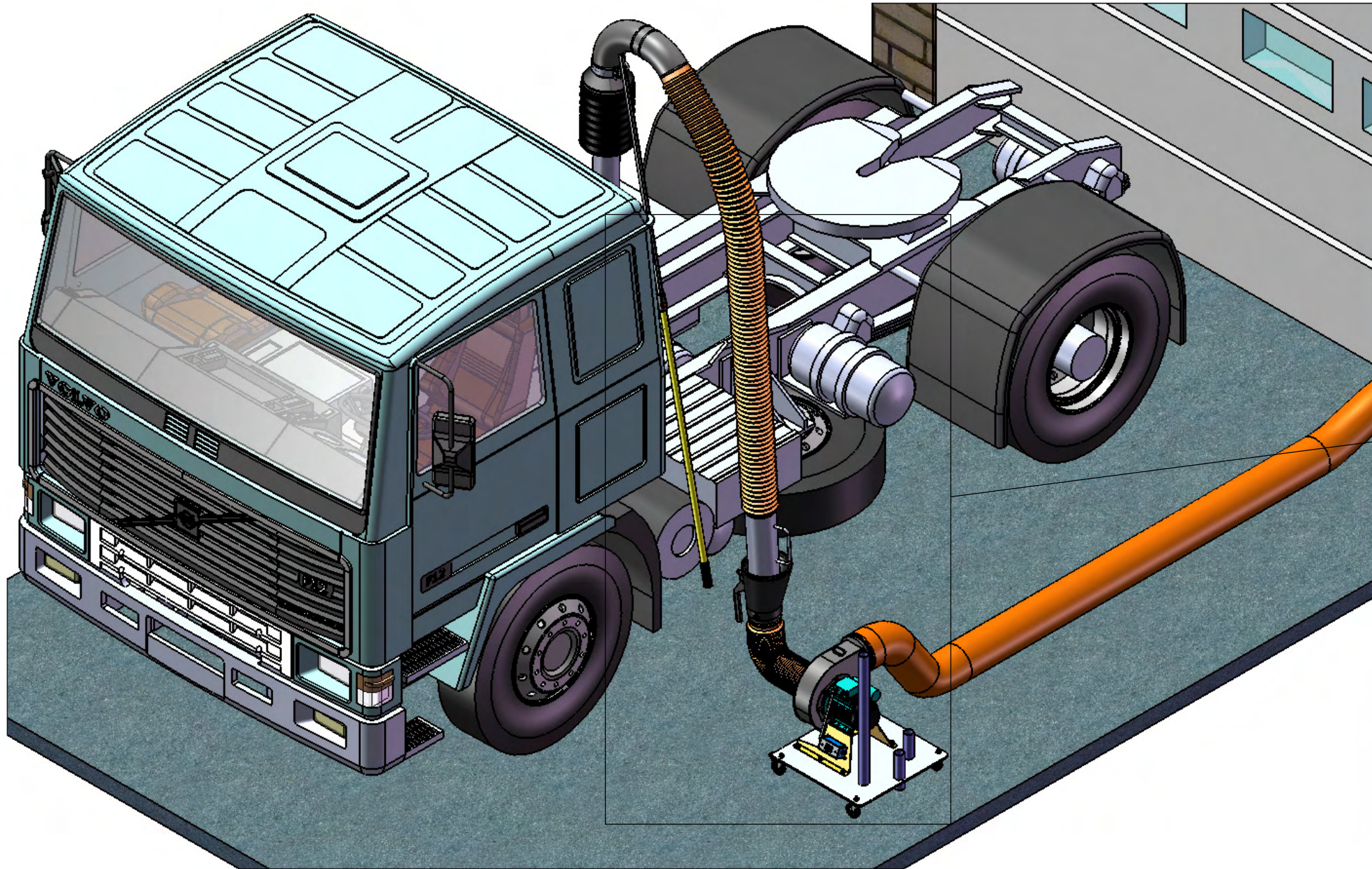
PORTABLE VEHICLE EXHAUST
New Version
 Specification Drawing



Drawing No.: -
 Material: -
 File Name: Portable Vehicle Exhaust
 Sheet: 2/5

DETAIL VIEW

ISOMETRIC VIEW - TRUCK WITH VERTICAL EXHAUST STACK



CUSTOMER:
 CUSTOMER P.O.:
 PROJECT:
 ENGINEER:
 SALES REP.:
 IDENTIFICATION / TAGGING:

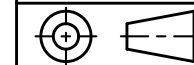
> www.lev-co.com • 1.888.862.5356

lev-co

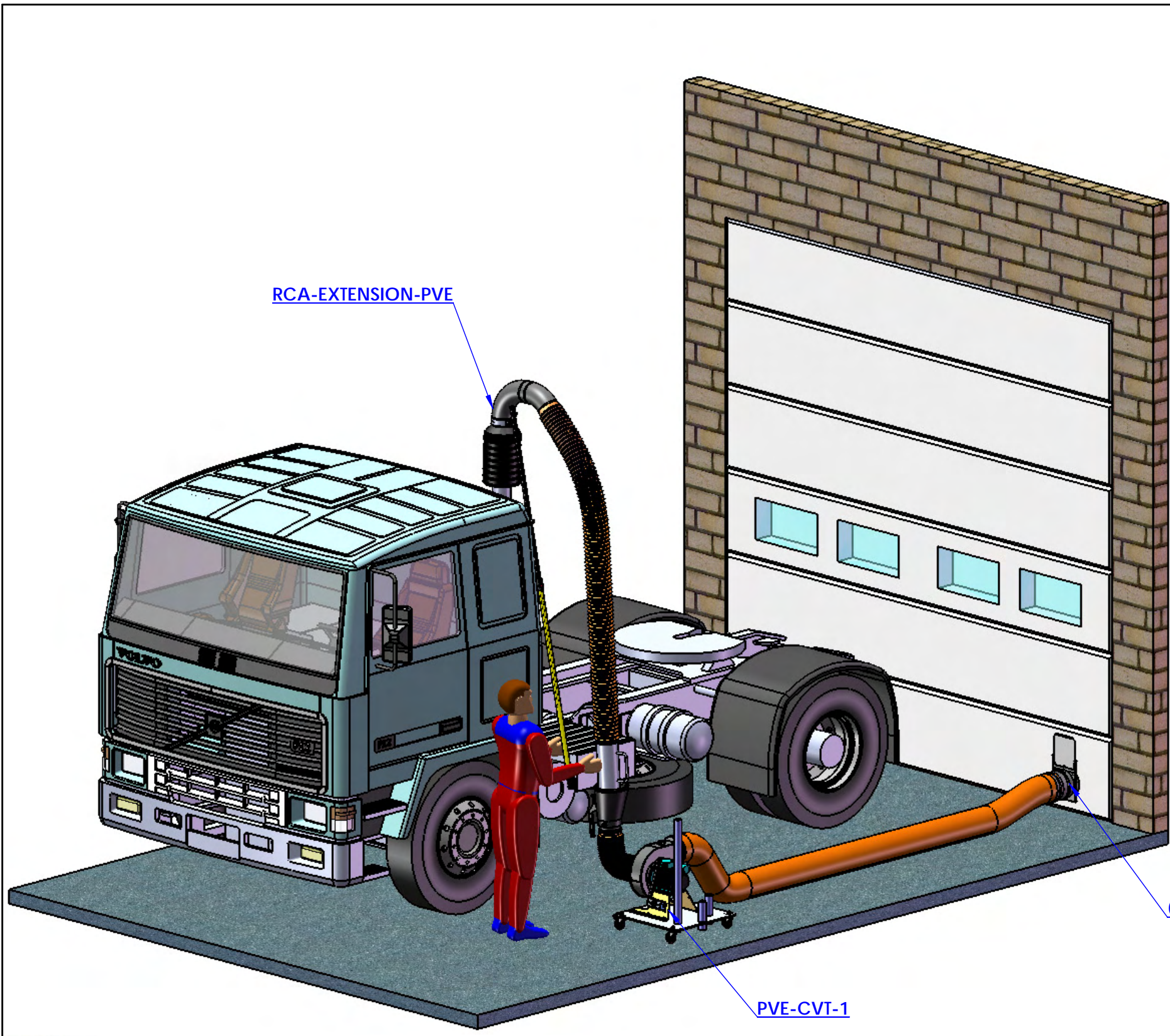
The device depicted and described hereon embodies proprietary information owned by the manufacturer. All design, manufacturing, reproduction, sales and patent rights regarding this device or drawing reserved except where explicit right is guaranteed in writing. We reserve the right to make design changes.

Drawn by: Janos B
 Date: 11/4/2014
 Scale: NTS
 Weight: N/A

PORTABLE VEHICLE EXHAUST
New Version
 Specification Drawing



Drawing No.: -
 Material: -
 File Name: Portable Vehicle Exhaust
 Sheet: 3/5

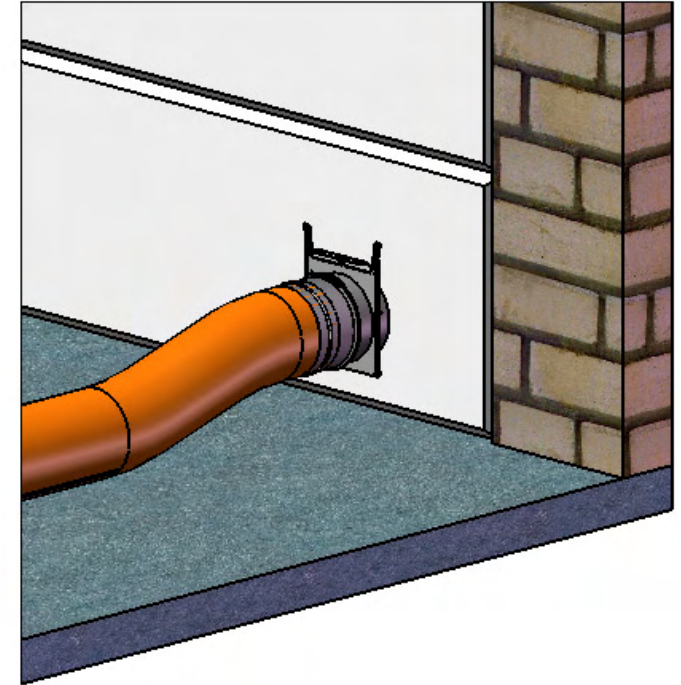


RCA-EXTENSION-PVE

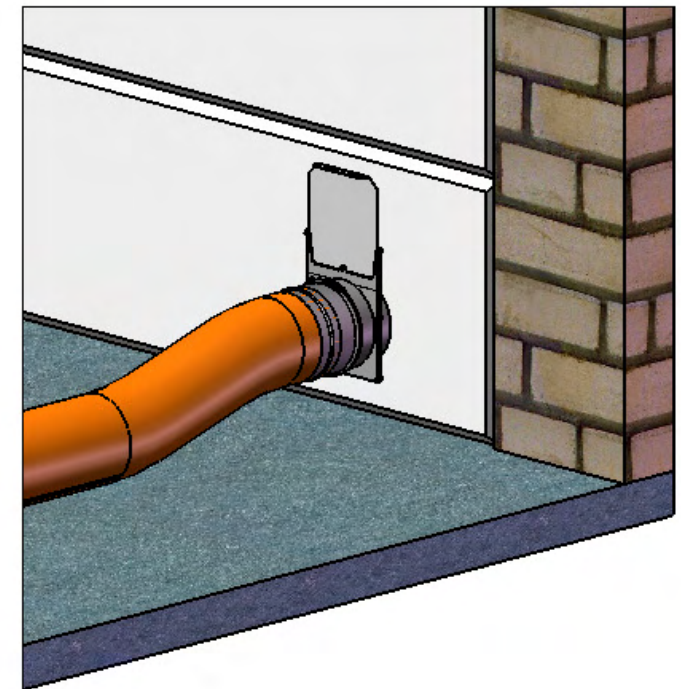
GDDK-8
(OPTIONAL)

PVE-CVT-1

BLAST GATE CLOSED (WHEN THE SYSTEM IS NOT USED)



BLAST GATE OPEN (WHEN THE SYSTEM IS IN USE)



CUSTOMER:
CUSTOMER P.O.:
PROJECT:
ENGINEER:
SALES REP.:
IDENTIFICATION / TAGGING:

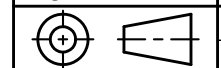
> www.lev-co.com • 1.888.862.5356

lev-co

The device depicted and described hereon embodies proprietary information owned by the manufacturer. All design, manufacturing, reproduction, sales and patent rights regarding this device or drawing reserved except where explicit right is guaranteed in writing. We reserve the right to make design changes.

Drawn by: Janos B
Date: 11/4/2014
Scale: NTS
Weight: N/A

**PORTABLE VEHICLE EXHAUST
New Version
Specification Drawing**



Drawing No.: -
Material: -
File Name: Portable Vehicle Exhaust
Sheet: 4/5

MODELS AND OPTIONS:

Main System / Part - EDIT PART TYPE

Part #	Description
<input type="checkbox"/> P2D2-R1	Portable Vehicle Exhaust system. 1HP 115V/1/60. 1150 CFM System comes complete with: 25' of exhaust hose 10' of 6 diameter inlet hose 6 to 8 diameter Vice-Grip nozzle - 600 degree silicon rubber for bottom exhaust 6 to 10 diameter nozzle - 600 degree silicon hose for top exhaust 15' power cord Motor Starter and Overload protection Storage for both the exhaust and inlet hoses CSA approved AS PER CANADIAN LAW; this unit is approved by CSA field evaluation prior to shipping in order to meet Canadian Laws and for your additional safety

Hose, Hood & Nozzle Options - EDIT PART TYPE

Part #	Description
<input type="checkbox"/> LFD-12-50-HT	25' Exhaust hose x 12" dia. - Lay Flat Ducting - for Portable Fan
<input type="checkbox"/> LFD-8-25-HT	25' Exhaust hose x 8dia. - Lay Flat Ducting - for Portable Fan

Installation Accessories - EDIT PART TYPE

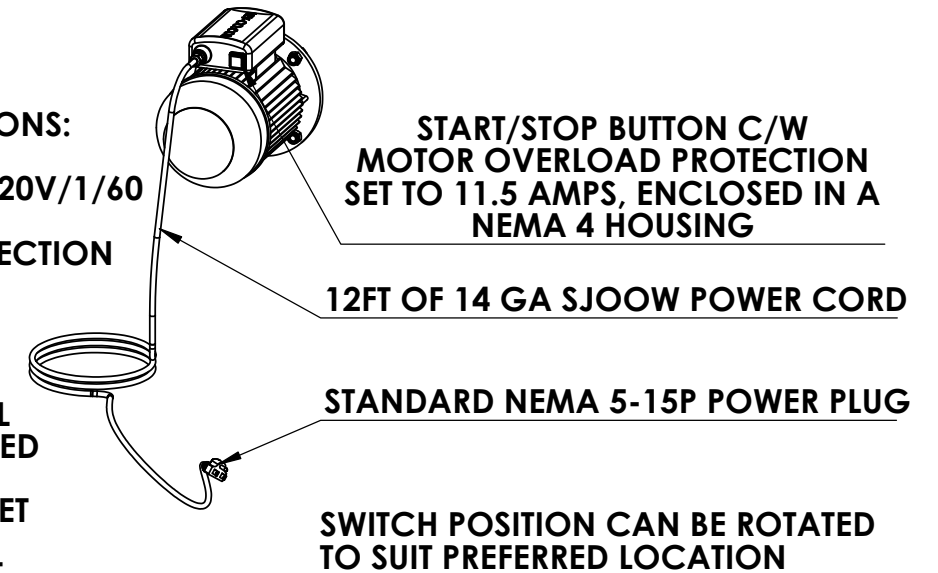
Part #	Description
<input type="checkbox"/> GDDK-8	8 Garage Door Duct Kit for Portable VE Solution

MOTOR SPECIFICATIONS:

1100 WATTS/1.5HP/120V/1/60
 FLA: 10.2 AMPS
 OVERCURRENT PROTECTION INCLUDED

NOTES:

1. NO ADDITIONAL PROTECTION REQUIRED
2. SWITCHED OUTLET MAY BE PREFERRED DEPENDING ON UNIT LOCATION



CUSTOMER:
CUSTOMER P.O.:
PROJECT:
ENGINEER:
SALES REP.:
IDENTIFICATION / TAGGING:

www.lev-co.com • 1.888.862.5356



The device depicted and described hereon embodies proprietary information owned by the manufacturer. All design, manufacturing, reproduction, sales and patent rights regarding this device or drawing reserved except where explicit right is guaranteed in writing. We reserve the right to make design changes.

Drawn by:	Janos B
Date:	11/4/2014
Scale:	NTS
Weight:	N/A

PORTABLE VEHICLE EXHAUST	
New Version	
Specification Drawing	
Drawing No.: -	File Name: Portable Vehicle Exhaust
Material: -	Sheet: 5/5